

# ELKAY<sup>®</sup>

## SPECIFICATIONS

### EZH20™ - Retro Kit Bottle Filling Station Model EZWSRK

#### PRODUCT FEATURES

- Retro Kit attaches to most 115V/60Hz EZ pushbar activated water coolers to create a bottle filling station
- Space saving ADA-compliant design
- Sanitary, no-touch, sensor activation with automatic 20-second shut-off timer
- Silver Ion anti-microbial protection
- Quick fill rate is 1 gpm for refrigerated units and 1.5 gpm for non-refrigerated units
- Laminar flow provides minimal splash
- Real drain system eliminates standing water
- Visual user interface display includes:
  - Green Ticker counts the quantity of bottles saved from the landfill
- Constructed of durable 18 gauge stainless steel and ABS plastic

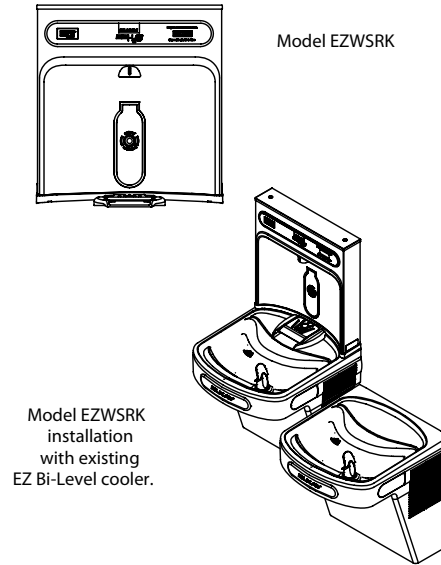
Model EZWSRK is a retro-fit bottle filling station designed for use with most existing 115V/60Hz pushbar-activated EZ cooler installations. Shall be constructed of 18 gauge Type 300 series stainless steel and ABS plastic. Shall include an electronic sensor for no-touch activation with an automatic 20-second shut-off timer. Shall provide 1-1.5\* gpm flow rate with laminar flow to minimize splashing. Shall include antimicrobial protected plastic components to prevent mold and mildew. Bottle Filling unit shall meet ADA guidelines for a parallel approach. Unit shall be a lead-free design which meets the Safe Drinking Water Act and certified to NSF/ANSI 61 and California AB1953.

#### SUGGESTED SPECIFICATION

\*Fill rate may vary slightly depending on existing refrigeration systems in the field

2222 Camden Court Phone: 630-572-3192  
Oak Brook, IL 60523 Web: Elkayusa.com

#### IMAGES



- 36292C Receptacle Adaptor Plug

#### OPTIONAL ACCESSORIES

Ideal for use with existing EZ style cooler installations such as in:

- Educational facilities
- Healthcare facilities
- Sport and fitness centers
- Airports
- Office buildings
- Other commercial buildings

#### APPLICATIONS



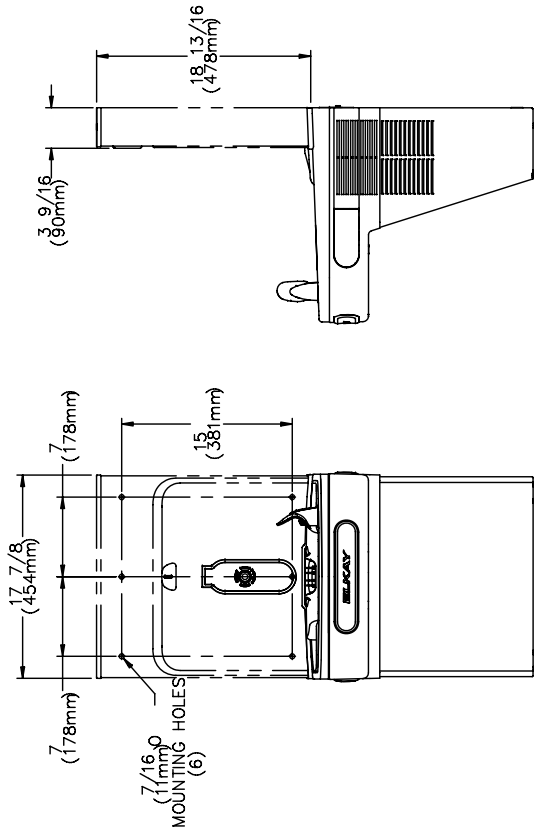
# ELKAY®

## ROUGH-IN DIMENSIONS

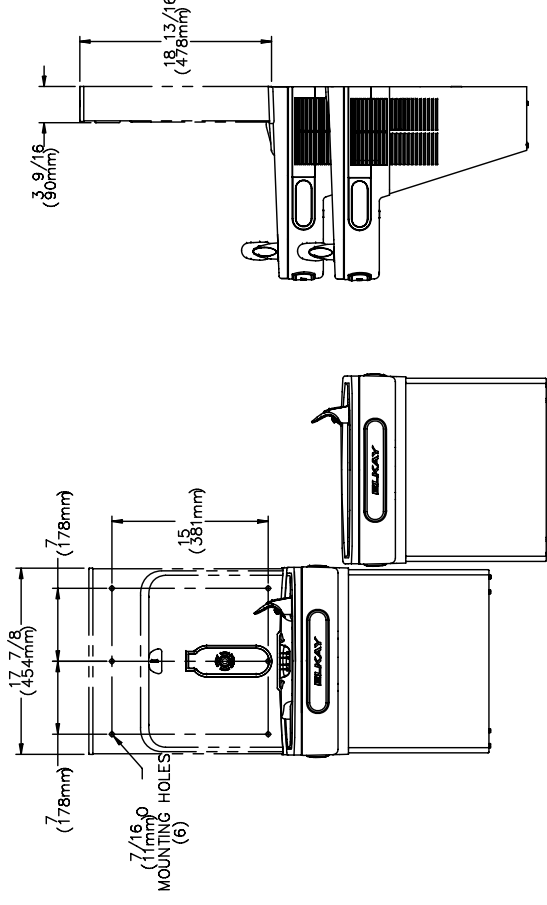
**EZH20 is designed to fit on an EZ Cooler which is properly installed per the EZ Spec Sheet rough-in design.**

**\*Rated for Indoor Use Only**

### Single Cooler Installation



### Bi-Level Cooler Installation



#### Installation Notes:

- Unit will mount on bracket attached to wall by 6 holes (as shown above)
- Water and electrical will connect through a hole punched into basin.
- Retro Kit will include a punch to create hole in basin
- Cooler must be pressurized. Bi-level and glass filler prepped units are already pressurized. Single EZ style coolers will need to be pressurized.

Job Name: \_\_\_\_\_ Qty: \_\_\_\_\_

Date: \_\_\_\_\_

Contact Info (Name, Phone, Email): \_\_\_\_\_

Approval for Manufacture Signature and Date: \_\_\_\_\_

Specifications and measurements are subject to change without notification.  
Please visit [elkayusa.com](http://elkayusa.com) for most current version.

2222 Camden Court  
Oak Brook, IL 60523  
Phone: 630-572-3192  
Web: [Elkayusa.com](http://Elkayusa.com)

**Model EZWSRK**